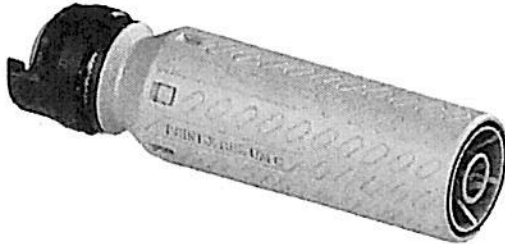
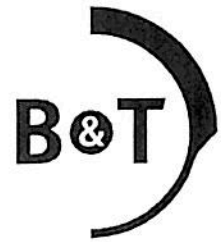


PRINT-X Compact UM NATO Kal. 5.56/.223



- Kal. 5.56/.223
- Universal Mount compatible with NATO Flashhider
- 24dB A noise reduction
- 3d printed body in Inconel 718

Technical Data

Description	PRINT-X Compact UM NATO	
Manufacturer	B&T AG - Switzerland	
Article-No.	SD-140308	
Interface	Universal mount compatible with NATO	
Calibre	5.56x45/.223 Remington	
Length	172 mm	
Length extending the barrel	131 mm	
Tube diameter	44 mm	
Weight	~520g	
Material	Body	Inconel 718
	Adapter	Steel
Colour	Grey - Cerakote coating on request	
Surface treatment	Sandblasted	
Sound reduction	~ 24dB A	
Service Life	100'000 rounds*	
Full auto capable	Yes - 150 rounds	
Cadence on G36 Rifle	>850 rounds per minute (S&B 55grs FMJ)	
Ambient temperature for use	-45°C...70°C	

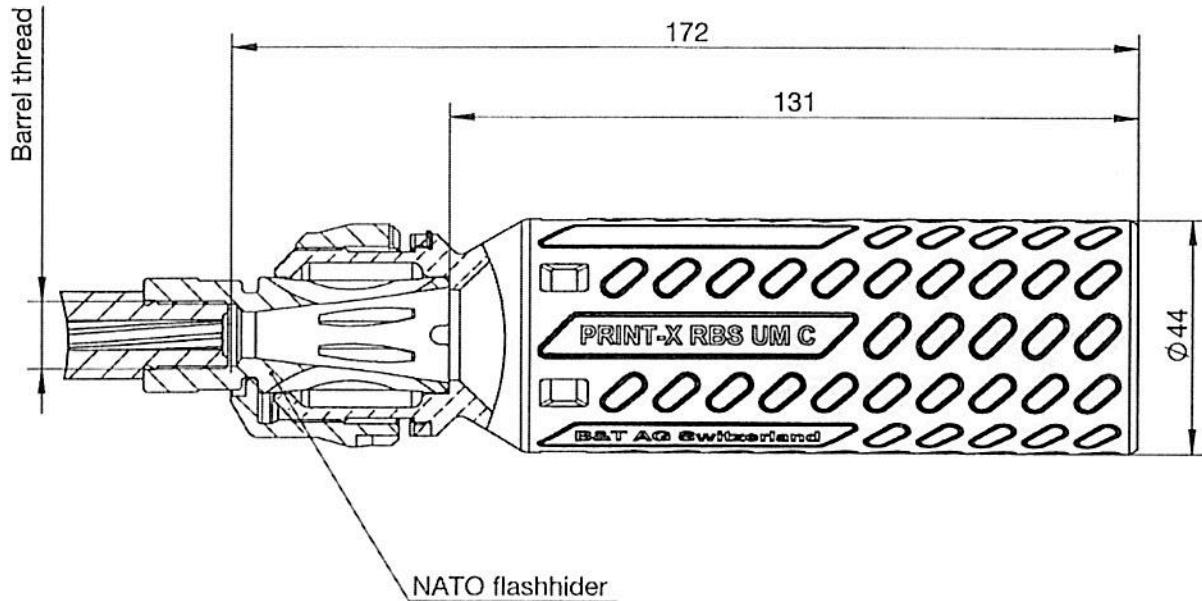
*B&T guarantees the service life as follows:

Inconel:


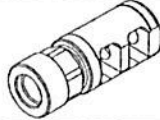
30'000 rounds with the high intensity shooting cycle (240 rounds in 3-4 minutes, mixed semi and full auto)

100'000 shots if the suppressor is not fired above 350°C (90 rounds semi auto in a row)

Dimensions



Accessories

Description	Caliber	Thread	Article-No.	Picture
Flashhider NATO	5.56mm/.223 Rem.	½"-28 UNEF	SD-121869	
		M15x1	SD-12828	
		M14x1 left	SD-121891	
Compensator NATO	5.56mm/.223 Rem.	½"-28 UNEF	SD-122780	

Different threads available on request.

All rights reserved. Data is provided for the purpose of product description only, and must not be construed as warranted characteristics in the legal sense. The information does not relieve users from the duty of conducting their own evaluations and tests. Because the products are subject to continual improvement, we reserve the right to amend the product specifications contained in this data sheet.